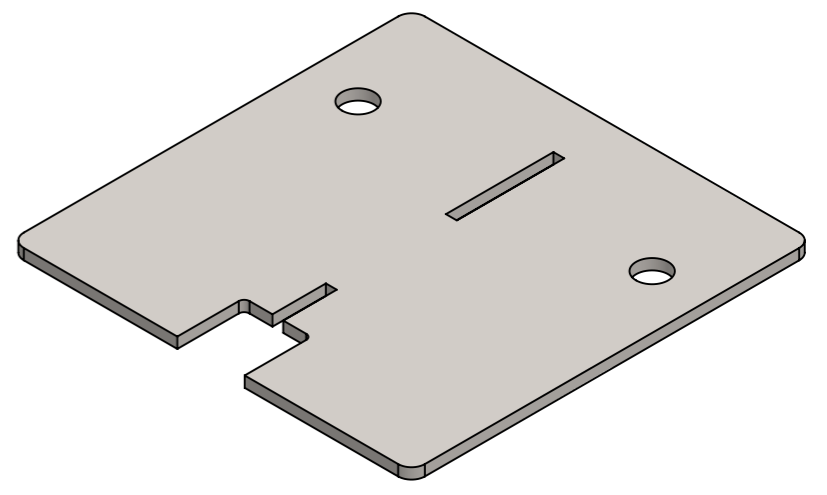
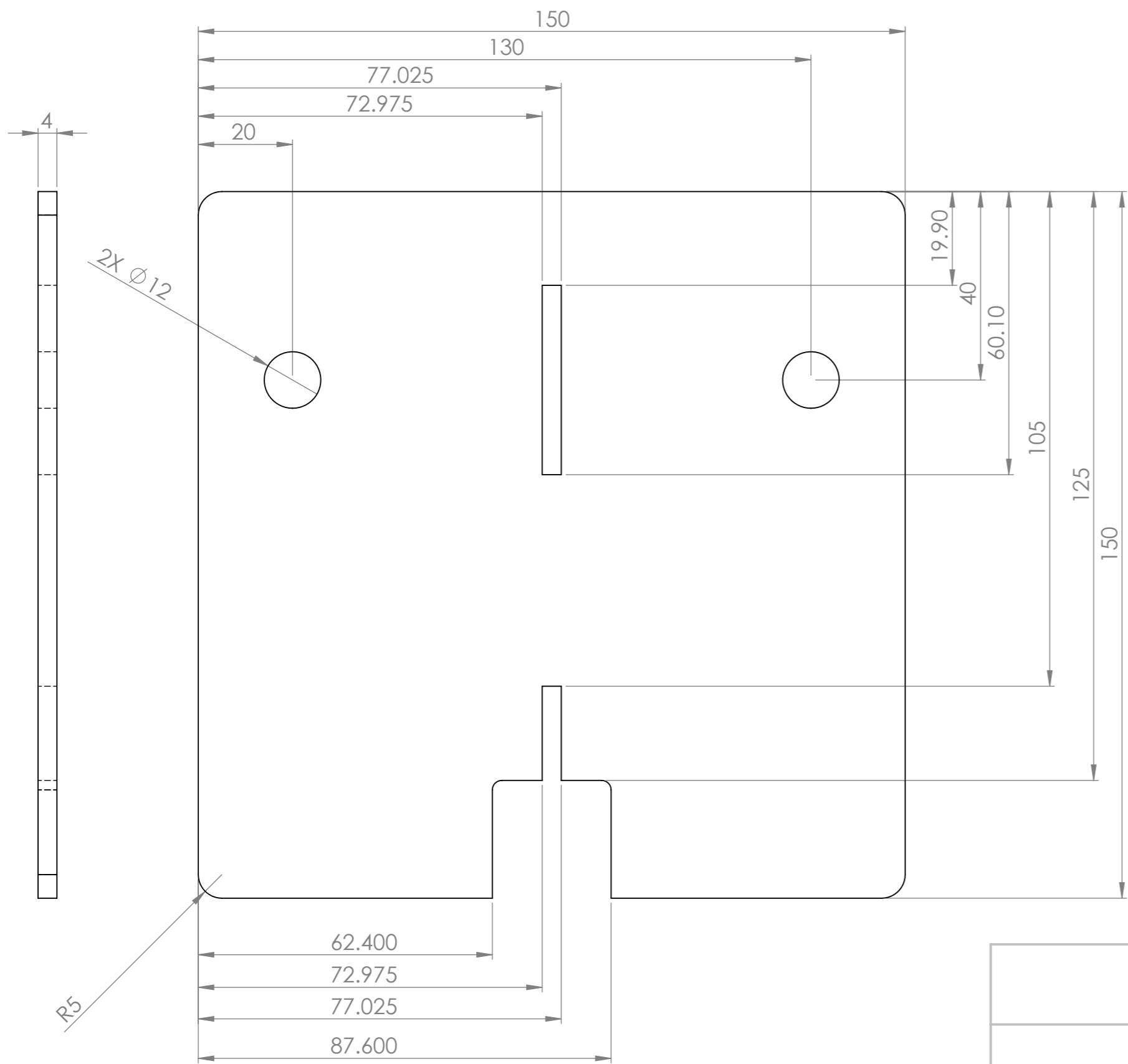
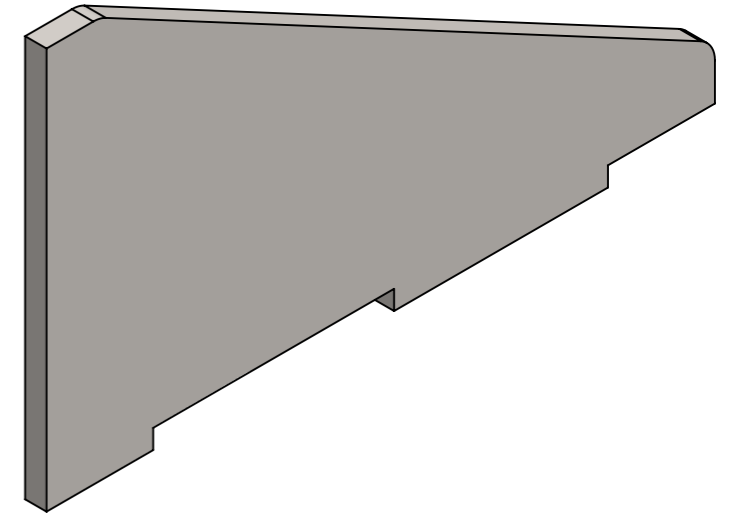
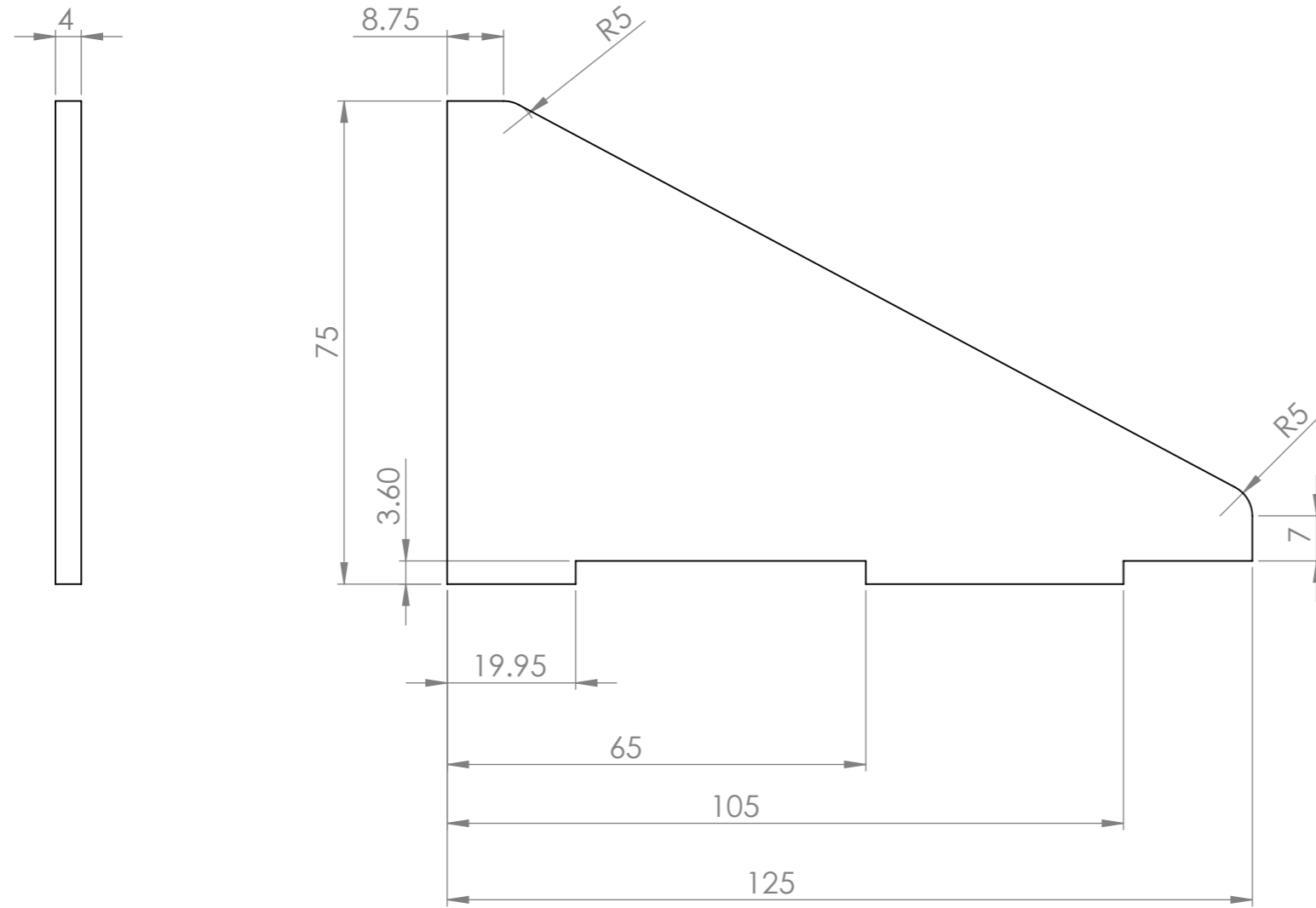


ITEM NO.	PartNo	DESCRIPTION	QTY.
1	MOUNTING PLATE A	150.00 X 140.00 X 4.00	1
2	GUSSET A	125 X 75 X 4	1
3	BOX SECTION A	L 800.00 X 25.00 X 2.50 BOX SECTION	1
4	BAR A	L 195 X 25 X 5	2
5	END CAP A	25mm SQUARE END CAP	1



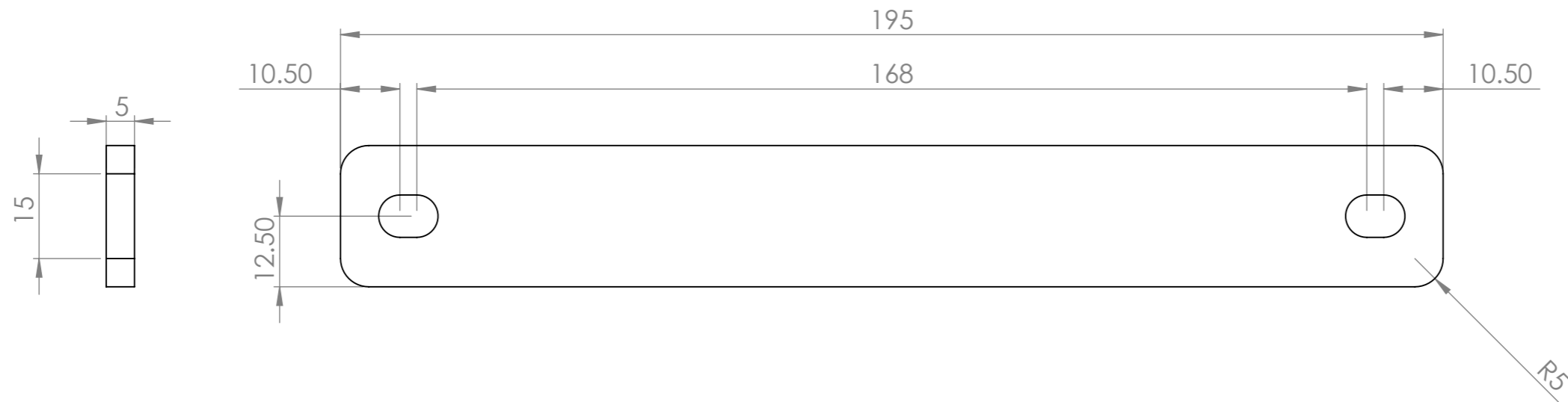
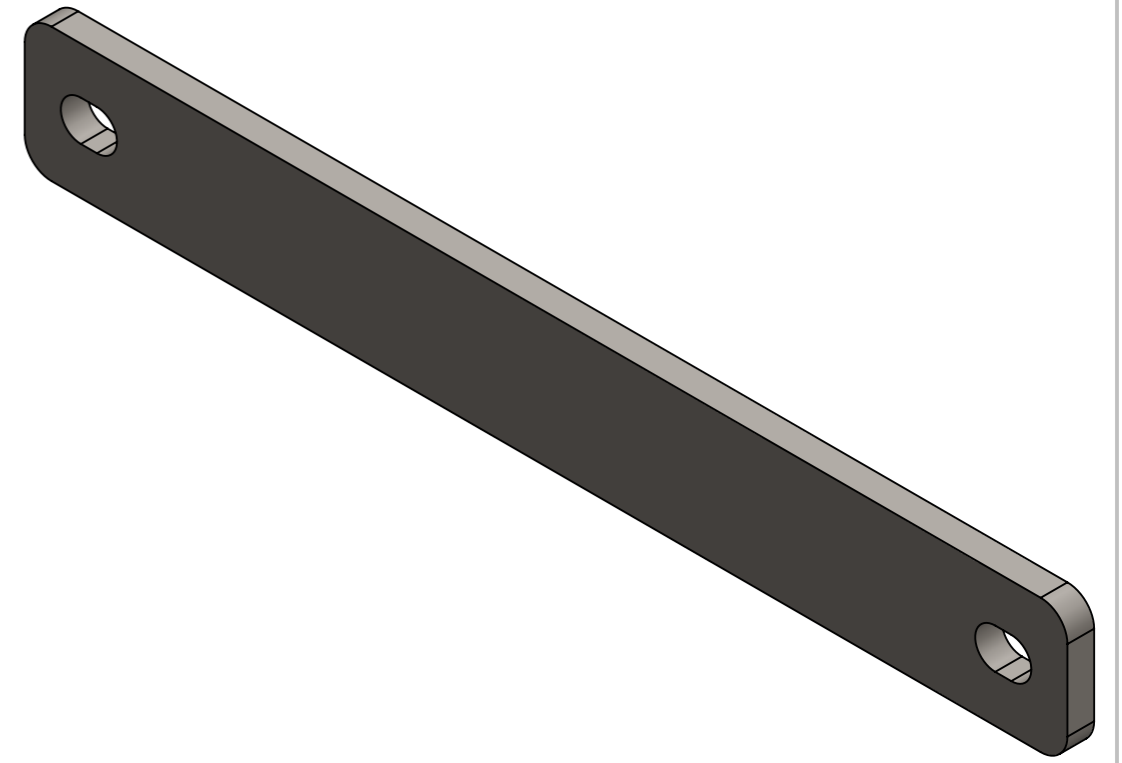
**Use attached DXF file MOUNTING PLATE A
for laser cutting**





Use attached DXF file GUSSET A for laser cutting





Use attached DXF file BAR A for laser cutting

