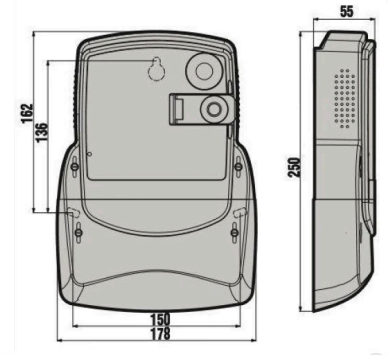


- 120A
- MID Approved (for billing)
- Surface Mounted
- Pulse Output as standard
- Commonly referred to as a Three Phase kWh Meter, Check Meter, Generation Meter, Solar Meter, Single Tariff Meter or Sub-Meter
- Import/Export solar/renewables parameters as standard
- Extended Terminal Cover as standard, short cover available, common when short of space or installing above trunking (IM3D-120A-STC)
- kWh only available (IM3D-120A-KWH)
- 2 Rate/ Multi-tariff parameters can be pre-programmed (order code IM3D-120A-2RATE, please specify parameters before ordering)
- Popularly supplied in an IP Rated enclosure for extra security, protection or installing externally (IM3D-120A-IP)
- CT Operated version (IM3-CT, additional CTs are required, amperage to be specified when ordering)
- Din Rail Import/Export version (DRT100-4MOD)



Accuracy Class	A or B (by EN 50470-3) 2 or 1 (by IEC 62053-21)
(kWh)	3 or 2 (by IEC 62053-23)
(kvarh)	3 or 2
(kVAh)	3 or 2
Reference / Basic current Ib	5, 10, 15, 20 A (directly connected meters)
	1 A (CT operated meters)
Max. current Imax	60, 80, 85, 100, 120 A (directly connected meters)
	6 A (CT operated meters)
Min. current	0.05 Ib
Starting current	0.004 Ib (directly connected meters)
	0.002 Ib (CT operated meters)
Reference voltage Ur	3 x 230/400 V, 3 x 400 V, 3 x 230 V, 230 V
Voltage range	0.8 Ur - 1.15 Ur
Reference frequency	50 Hz or 60 Hz
Operating temper. range	-40°C to +60°C (LCD: -25°C to +60°C)
Extended temper. Range	-40°C to +70°C
Storage Temperature	-40°C to +85°C
Optical port	IEC 62056-21
RTC (IEC 62054-21)	±3 min/year
RTC operation reserve	5 years (Li-battery)
Pulse output(s)	
IEC 62053-31, class A (S0)	ti = 40 ms (10, 20, 30, ... 160 ms)
Optomos relay	ti = 80 ms, ... 160 ms
Tariff output(s)	Optionally instead of impulse output
Current circuit burden	<0.5 VA
Voltage circuit burden	<1 W / 10 VA
Dielectric strength	4 kV, 50 Hz, 1 min
Impulse voltage	
main circuits:	12 kV (aux. circuits: 6 kV), 1.2/50 µs
CT operated:	6 kV, 1.2/50 µs
Short-circuit current	30 Imax
Fast transients (burst)	6 kV (IEC 61000-4-4)
Dimensions	250 x 178 x 55 mm
Mass	1kg

Other great products in the range:



IM3D-120A-STC



IM3D-120A-IP



DRT100-4MOD

Remember to order your seals and wire.
Sealing the terminal cover ensures security and safety.
Sealing pliers also available.

