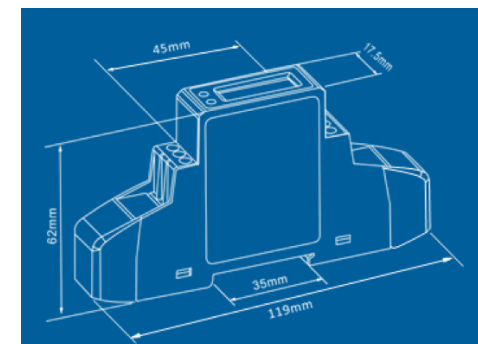
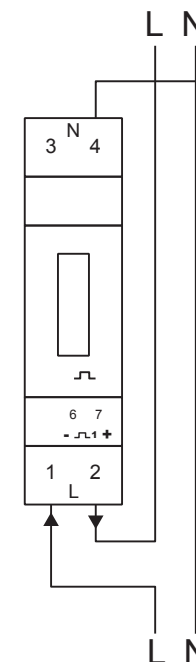


- 45A
- MID Approved (for billing)
- Din Rail Mounted
- Single Module
- Commonly used in caravan hookups, garage units, shower units, EV Charging and individual circuit metering
- Backlit Display variant (DR145-1MOD-BL)
- Analogue/ Electromechanical variant (DR145-1MOD-A)
- Multifunction variant with Modbus (DR145-MF-1MOD)
- M-Bus variant (DR145-MF-MBUS)
- CT Op variant programmable up to 600A (DR1CT-MF-1MOD) also available in a pre-wired enclosure
- 100A variant (DR100-1MOD)



Certification	MID B&D Approved
Operating Humidity	≤ 75%
Storage Humidity	≤ 95%
Operating Temperature	-20°C - +50°C
Storage Temperature	-30°C - +70°C
International Standard	IEC 62053-21
Accuracy Class	1
Mounting	DIN rail (DIN 43880)
Sealing	IP51 Indoor
Nominal Voltage Input	(Ph+N) 230V AC
Max Continuous Voltage	120% of nominal
AC Voltage Withstand	4KV for 1 minute
Impulse Voltage Withstand	6KV-1.2μS
Reference Input current	0.25A
Base Input Current (Ib)	5A
Maximum Input Current (Imax)	45A AC
Max Continuous Current	120% of nominal
Operational Current Range	0.4% Ib-Imax
Over current withstand	20Imax for 0.01s
Frequency	50Hz (±10%)
Power Consumption	≤ 2W/10VA/phase
Pulsed Output	1000IMP/kWh



Other great products in the range:

BRAND NEW FOR 2023
100A IN A SINGLE MODULE



MID



MID



M-Bus
MID



DR1CT-MF-1MOD
Programmable up to 600A



MID

DR145-1MOD-A

DR145-MF-1MOD

DR145-MF-MBUS

DR100-1MOD
100A Direct Connection