

IM3D-100A DATA SHEET

The PJW IM3D-100A Three phase metering range offers high quality accurate meters that are suitable for direct connected domestic, commercial, Solar PV and light industrial applications.

Features

- Fully MID approved
- 4 quadrant power measurement (Import and Export, Active and Reactive Energy)
- Optional Power Quality Information - Volts, Current, Power etc.
- Optional pulsed outputs
- Optical communications port
- Solid brass terminals



The IM3D-100A.az and IM3D-100A.av are the entry models of the emlite three phase metering range. They are suitable for a host of different applications where basic consumption or generation metering is required. The IM3D-100A.az and IM3D-100A.av variants covered in this information sheet are of solid high quality construction and benefit from features normally found in more expensive metering.

- Accuracy Class A or B (MID) [active energy] and Cl 2 [reactive energy*]
- 4 quadrant energy measurement
- Optional power quality information*
- Configurable pulsed outputs**
- Multiple terminal cover options (Short, Extended(Standard), Extended plus)
- Clear easy to read 8 digit LCD with specific symbols for different quantities.
- Solid Brass terminals
- Optional finger guard for main terminals

NB: * denotes standard setting, ** pulse set for kWh import as standard

PJW

Unit 1 Salisbury House,
Salisbury Road,
Newton Abbot, TQ12 2DF

T: 01626 368 595
E: sales@pjwmeters.com
W: pjwmeters.com

IM3D-100A DATA SHEET

IM3D-100A.AV Only

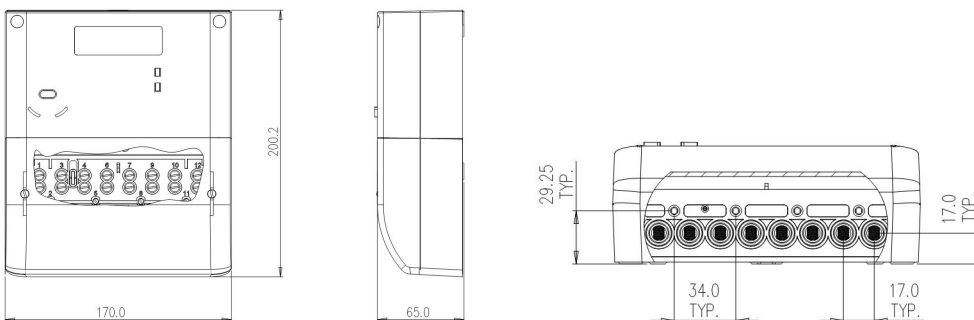
Pulsed Output

An opto-isolated pulse output can provide data for collection by an energy management system or AMR data logger. These pulses are output via the meter's auxiliary terminals.

The output conforms to IEC 62053-31.



Technical Data - Meter			
Electrical	Voltage	Nominal voltage	3 x 230v
		Voltage withstand	400V continuously
	Frequency	Nominal frequency	50Hz, variation $\pm 5\%$
	Current	Basic current (I_{ref})	5, 10, 15 and 20*
		Maximum (I_{max})	100A
Metrology	Accuracy	Active energy	Class B, to EN 50470 1-3*
		Reactive energy	Class 2, to IEC 62053-23
Environmental		Temperature Range	-25°C to +55°C
		Ingress protection	IP54, to BS EN 60529
Physical		Terminal arrangement	DIN43857-Part 2, fixing centres of 150 \pm 1mm
		Main Terminal size	8.2mm ϕ \pm 0.2
		Terminal Construction	Solid brass



NB: * denotes standard setting.