

BK-G1,6/BK-G2,5/BK-G4

BK-G1,6T/BK-G2,5T/BK-G4T

Compact multirange residential diaphragm gas meters

Applications

Media: Natural gas, town gas, propane, butane, air*
Industry: Gas supply
Tasks: Gas measurement at operating conditions **

Brief information

The residential diaphragm gas meters BK-Type meet the highest demands with respect to accuracy of measurement and safety. It incorporates both innovative features and gas measurement know-how of many decades. The BK-Type meters are supplied in folded form as co-axial and two-pipe versions.

The stroke of the diaphragms is pneumatically stopped and therefore ensures both low bearing loads and a quiet operation.

The synthetic diaphragm is dimensionally stable and stadium shaped.

High-grade materials and components as well as the patented curve K-System ensure a high quality standard.

The K-System perfectly coordinates the movement of the valves with the actual gas flow to the measuring chambers. This ensures excellent linearity even with utilizing small valves.

Due to the optimised slides, Q_{min} of BK-Type is stable and the gas meter is not susceptible to contamination (RPF 0.9 to BS4161). The measuring unit is adjusted by a patented needle-and-scale system.

Although the design of the BK-Series is very robust, the gas meters are still measuring instruments and as such should be handled with care.

Operating principle: Four measuring chambers are separated by synthetic diaphragms. The chambers are filled and emptied periodically, and the movement of the diaphragms is transferred via a gear to the crankshaft. This shaft moves the valves, which control the gas flow. The rotations of the gear are transferred via a magnetic or mechanical coupling to the index.

The temperature compensation facility of the T-Versions ensures via a bimetallic element that the stroke of the diaphragms is adapted to the current gas temperature.



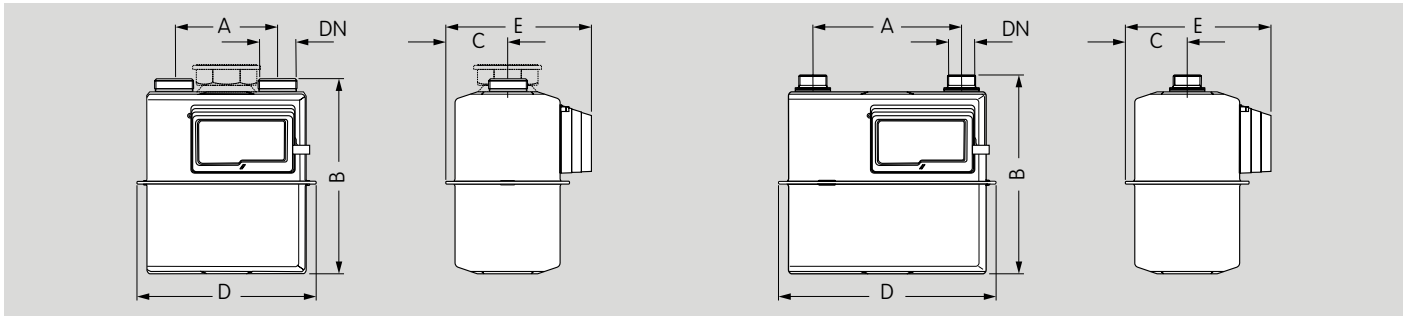
Main features

- MID conformity approved by PTB
- Approved to EN 1359 by German DVGW
- EU Approval by German PTB
- Flow rates from
G1.6: 0.016 m³/h to 2.5 m³/h
G2.5: 0.025 m³/h to 4 m³/h
G4: 0.04 m³/h to 6 m³/h
- Cyclic Volume 1.2 liters
- Maximum operating pressure 0.5 bar
- Fireproof (HTB) up to 0.1 bar according to EN 1359
- High accuracy and long-term stability
- Powder coated pale grey to RAL 7035
- Standard pulse magnet; retrofitable LF pulser (I=0.01 m³/pulse)
- Not susceptible to contamination (RPF = 0.9)
- Temperature range:
Standard: -10 °C to +40 °C,
other temperatures on request
- Temperature compensation available
- Intelligent index technology, Chekker system, Absolut-ENCODER and radio applications

* Other media: Inert gases to EN 437

** T-Versions: Measurement of temperature compensated gas volume.

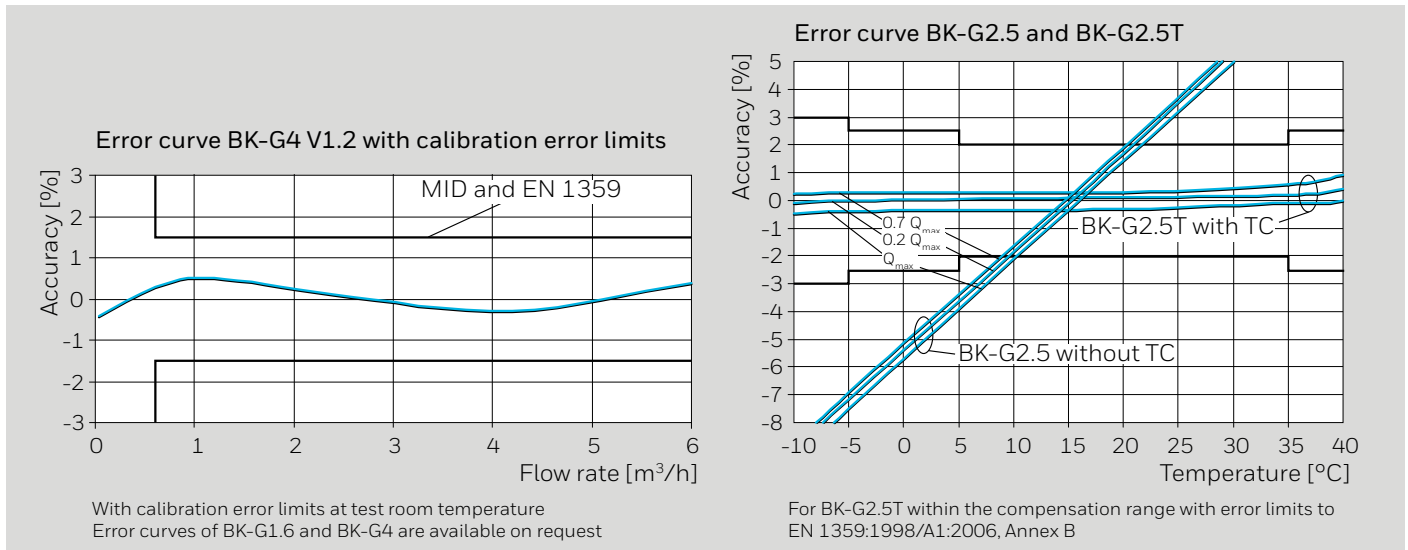
Dimensions and weights



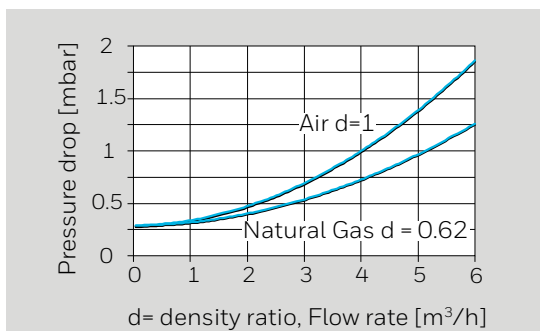
Type	Dimensions					Weight kg	Connection size DN*	Thread
	A	B	C	D	E			
Two-pipe	110	214	67	194	157	1.9	25	1 1/4"
Two-pipe	130	214	67	204	157	1.9	20	1"
Two-pipe	152.4	214	67	235	157	2.0	-	1***
Two-pipe	160	214	67	235	157	2.0	-	G 7/8 B***
Co-axial	-	215	67	194	157	1.9	25	2"

Additional connection dimensions on request, * According to DIN 3376, ** According to BS 746***, According to ISO 228-1

Error curve



Pressure drop curve



For more information, please contact: www.elster-instromet.com

P & J Wales Meters Ltd
 Unit 1 Salisbury House
 Salisbury Road, Newton Abbot
 Devon. TQ12 2DF
 Customer Service: 01626 368 595
www.pjwmeters.com