

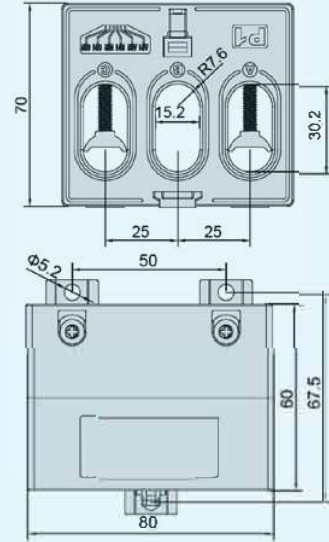
CT3X1-EW

Three phase current transformers



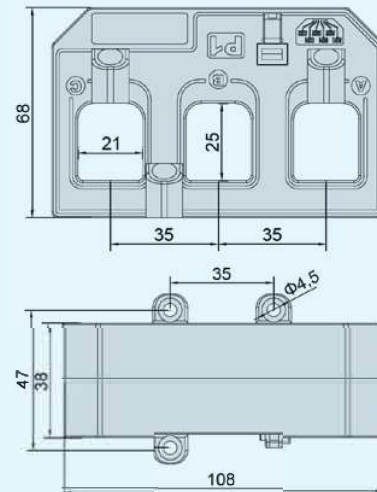
- Class 0.5 Accuracy
- 100mA Secondary
- RJ12 Connector Output
- 25mm Centres
- 60-200A Primary current options
- Tamper proof clip for RJ12 connection

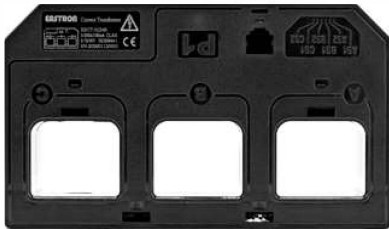
Model	Rated Amp	Output	Burden	
			Class 0.5	Class 1.0
CT3X1-EW-25	60A	100mA	0.25	1
CT3X1-EW-25	100A	100mA	0.25	1
CT3X1-EW-25	120A	100mA	0.25	1.5
CT3X1-EW-25	125A	100mA	0.25	1.5
CT3X1-EW-25	150A	100mA	0.25	2.5
CT3X1-EW-25	160A	100mA	0.25	2.5
CT3X1-EW-25	200A	100mA	0.25	2.5



- Class 0.5 Accuracy
- 100mA Secondary
- RJ12 Connector Output
- 35mm Centres
- 60-250A Primary current options
- Tamper proof clip for RJ12 connection

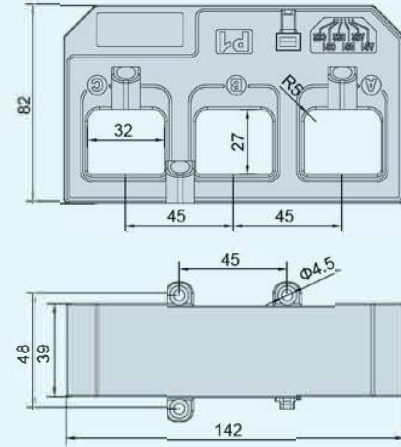
Model	Rated Amp	Output	Burden	
			Class 0.5	Class 1.0
CT3X1-EW-35	63A	100mA	0.25	0.25
CT3X1-EW-35	125A	100mA	0.25	0.5
CT3X1-EW-35	150A	100mA	0.25	0.5
CT3X1-EW-35	200A	100mA	0.25	0.5
CT3X1-EW-35	250A	100mA	0.25	0.5





- Class 0.5 Accuracy
- 100mA Secondary
- RJ12 Connector Output
- 45mm Centres
- 250-630A Primary current options
- Tamper proof clip for RJ12 connection

Model	Rated Amp	Output	Burden	
			Class 0.5	Class 1.0
CT3X1-EW-45	250A	100mA	0.25	0.5
CT3X1-EW-45	300A	100mA	0.25	0.5
CT3X1-EW-45	400A	100mA	0.25	0.5
CT3X1-EW-45	500A	100mA	0.25	0.5
CT3X1-EW-45	600A	100mA	0.25	0.5
CT3X1-EW-45	630A	100mA	0.25	0.5



- Class 0.5 Accuracy
- 100mA Secondary
- RJ12 Connector Output
- 70mm Centres
- 600-1600A Primary current options
- Tamper proof clip for RJ12 connection

Model	Rated Amp	Output	Burden	
			Class 0.5	Class 1.0
CT3X1-EW-70	600A	100mA	0.25	3.75
CT3X1-EW-70	630A	100mA	0.25	3.75
CT3X1-EW-70	800A	100mA	0.25	5
CT3X1-EW-70	1000A	100mA	0.25	5
CT3X1-EW-70	1200A	100mA	0.25	7.5
CT3X1-EW-70	1600A	100mA	0.25	7.5

